

HYDRAULIC TORQUE WRENCH

SQUARE DRIVE HYDRAULIC TORQUE WRENCH

TPS – TS Hydraulic Torque Wrench

TS – SERIES



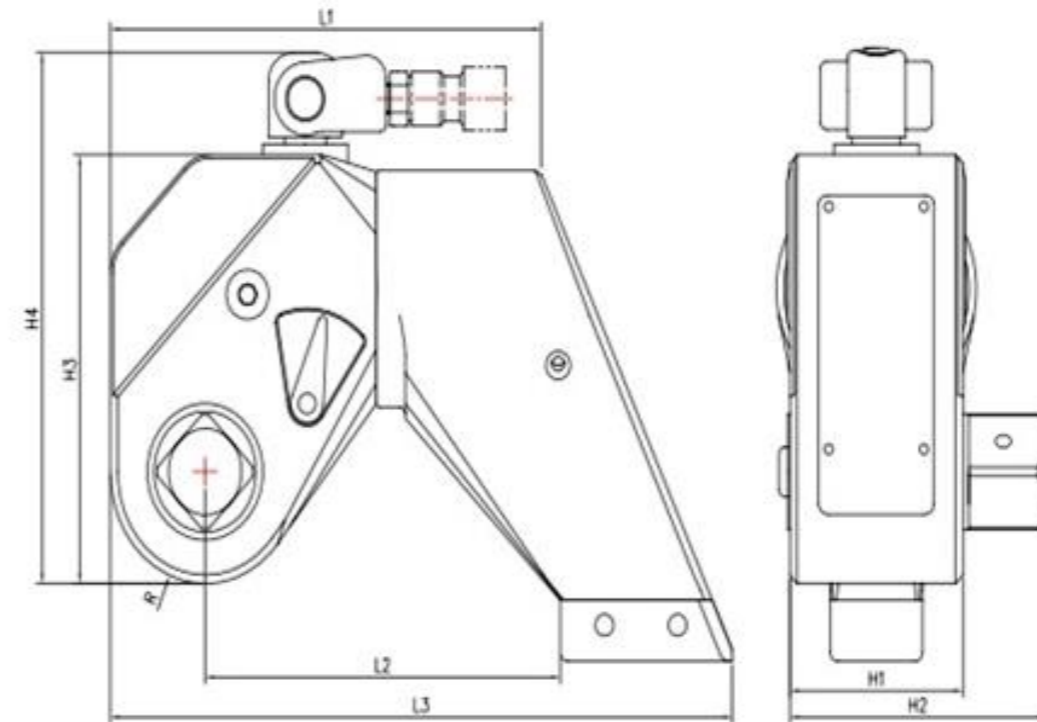
The material of the Hydraulic Torque Wrench is Aluminum Titanium Alloy and super high strength alloy steel for increased strength and durability of the tool. High repeatability with a precise accuracy of +/- 3%.

The 360° x 180° uni-swivel allows ease of use in confined spaces and eliminates hose kinking. It is unbeaten for durability and accuracy.

Anti- reverse drive pawl is designed for preventing ratchet return to deliver the required torque.

TS - Series Models Technical Data Sheet and Dimensions

	TS -1	TS -3	TS -5	TS -8	TS -10	TS -15	TS -20	TS -25
Torque Max (ft.lb)	1280	3148	5397	7586	10985	14137	19230	25184
Torque Min (ft.lb)	119	315	540	738	1097	1416	1821	2407
Square Drive (in)	3/4"	1"	1-1/2"	1-1/2"	1-1/2"	2-1/2"	2-1/2"	2-1/2"
L1 (mm)	127	168	197	223	235	270	283	316
L2 (mm)	102	140	156	185	192	223	248	256
L3 (mm)	180	247	284	323	336	388	431	460
H1 (mm)	52	70	80	90	100	110	120	138
H2 (mm)	76.5	98	125	134	144	180	187	206
H3 (mm)	104.5	137	161	189	193	225	237	276
H4 (mm)	150	182	206	234	238	270	282	321
R (mm)	27.5	36.5	41.75	49.25	54	60	63	74
Weight (kg)	2.2	5.48	7.61	12.3	14.7	21.9	25.94	37.76



APPLICATIONS

