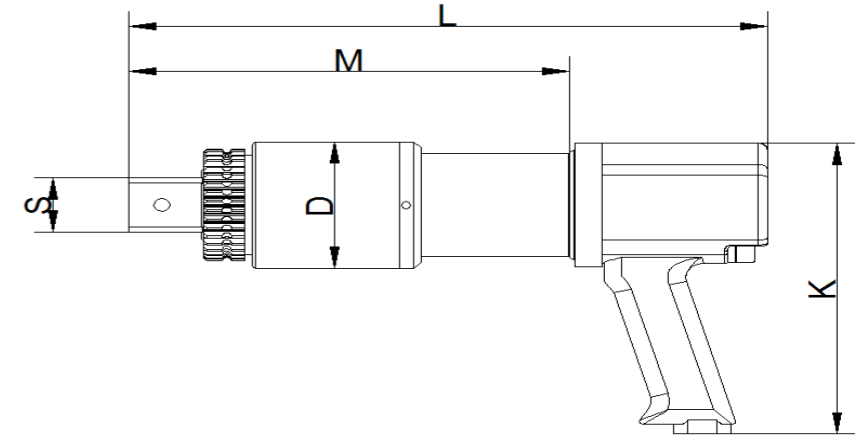


# PNEUMATIC TORQUE WRENCH

## PNEUMATIC TORQUE WRENCH



### TPW- Series Models Technical Data Sheet and Dimensions

### APPLICATIONS

Model	Min (N.m)	Max (N.m)	S (mm)	D (mm)	M (mm)	L (mm)	K (mm)	Weight (kg)	Free rpm
TPW-04SS	130	450	3/4"	74	167	297	195	5.3	40
TPW-09SS	290	950	3/4"	78	172	302	195	5.4	20.5
TPW-16SS	480	1640	1"	78	214	344	195	6.9	11.5
TPW-20SS	490	2050	1"	78	214	344	195	6.9	9
TPW-30SS	810	3100	1"	88	254	384	195	9.7	5.5
TPW-40SS	1190	4300	1.1/2"	99	254	384	195	9.7	3.8
TPW-60SS	1100	6200	1.1/2"	113	283	413	195	15.1	2.7
TPW-80SS	1600	8000	1.1/2"	120	292	422	195	16.8	1.9
TPW-100SS	3700	10600	1.1/2"	128	336	466	195	21.6	1.4
TPW-120SS	3900	13500	1.1/2"	128	336	466	195	21.6	1.1